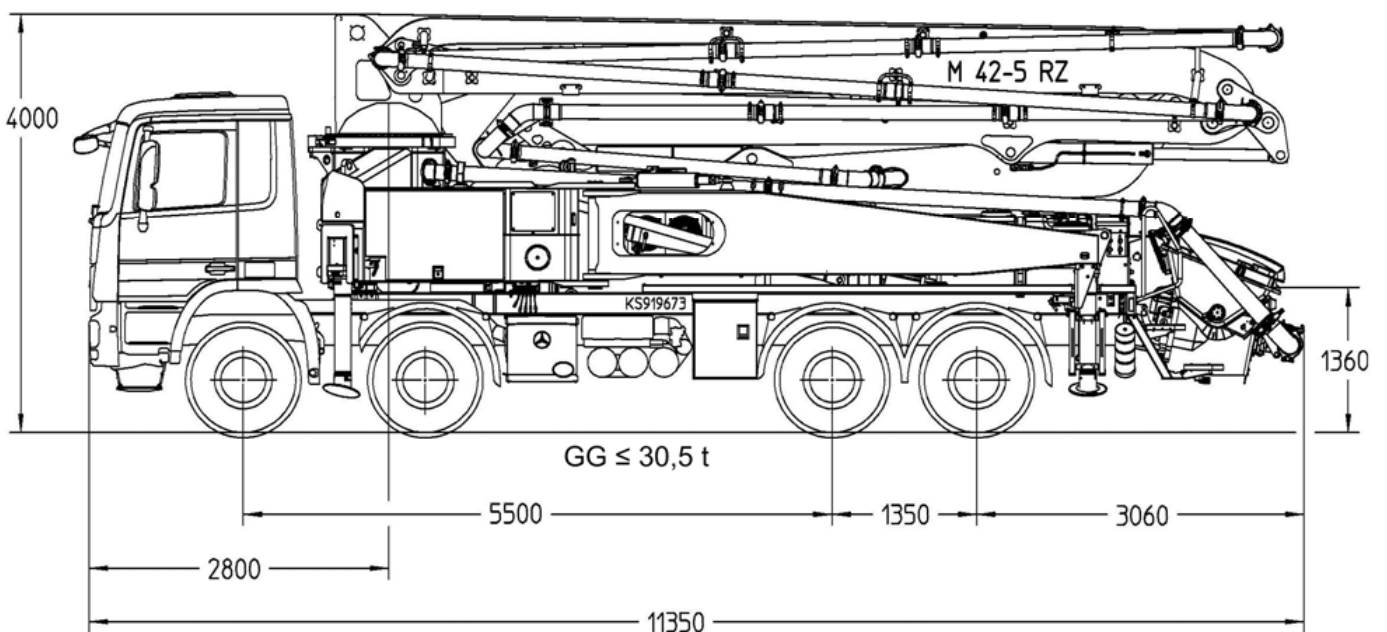
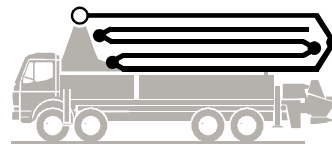


# Truck-mounted concrete pump

## BSF 42-5.16 H

### .16 H LS

Output up to 160 m<sup>3</sup>/h  
 Delivery pressure up to 85 bar\*



Note: Standard version. Dimensions and weights depend on truck, pump model and equipment.  
 Dimensions in mm, MB-Actros 3241, Euro 5 as example.  
 For illustration only.

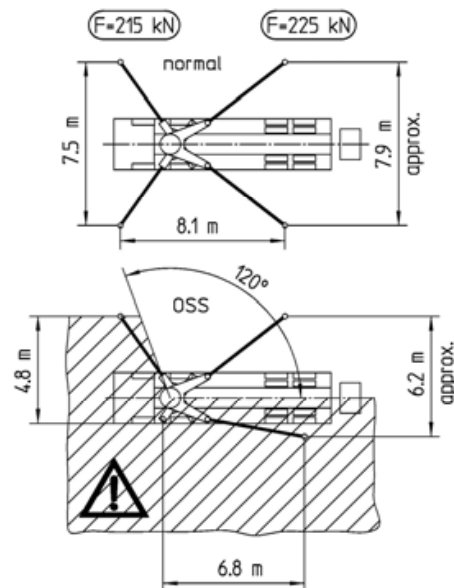
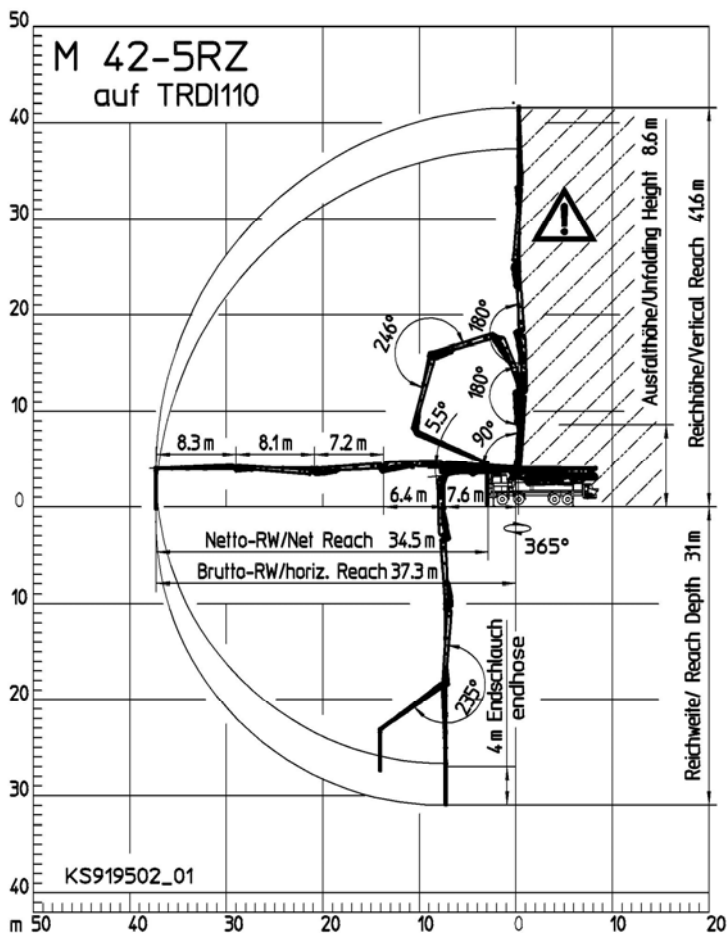
## Technical data

Boom M 42-5		
Sections		5
Reach height	m	41.6
Horizontal reach	gross	m 37.3
	net	m 34.5
Reach depth max.	m	31.0
Unfolding height	m	8.6
End hose length	m	4
Folding system		RZ
Delivery line		DN 125

Pump		BSF	.16 H	.16H LS
Rod side	Output	m <sup>3</sup> /h	160	-
	Delivery pressure	bar	85	-
	Strokes	1/min.	31	-
Piston side	Output	m <sup>3</sup> /h	-	160
	Delivery pressure	bar	-	85
	Strokes	1/min.	-	26
	Delivery cylinder	Ø mm	230	250
	Stroke	mm	2100	2100

\*) Delivery line boom max. 85 bar.  
 All data maximum theoretical.

## Reach information diagram, Support



OSS not included in series range.  
Dimensions can differ depending on configuration.



Range in which you must not work  
with the end hose.

## Serial delivery scope

Agitator and water pump radio remote/on site controlled	End hose 4,0 m DN 125 5,5"	Splash guard fixed
Agitator safety switch off, RFID with startup protection	Ergonic Graphic Display (EGD) with machine fault management	Spray hose 10 m incl. bracket
Box for delivery slip, plastic	Ergonic Pump System (EPS) incl. Ergonic Output Control (EOC)	Steps, first step foldable
Box for sponge balls	Flushing water pump 160 l/min 25 bar	S-transfer tube switchover fast/slow
Cardan shaft maintenance free	Hand rail left and right side (not EEA)	Support plates at swinging support leg in bracket
Central lubrication hopper, electrically	Hinged elbow with cleaning port	Swivel support plates
Chassis horn via remote control on hopper	Hydraulic hose for replacement in hose pack	Tool set incl. standard equipment
Concrete hopper RS 909 with agitator	Operating manuals 2 x (1 x paper, 1 x CD-ROM) spare part list	Towing eye
Connections for hydraulic emergency supply	Platform non-skid	Wash-out port lid with slide pin
C-pipe connection for filling water tank	Pump on/off dependent on speed	Water supply at hopper (1/2")
Delivery cylinder chrome-plated	Radio remote control proportional with display	Water tank 800 l
Delivery line (1-layer) PM40, arm assembly	Remote control without display with 40 m cable	Working light for illumination of hopper, detachable
Delivery piston 'compact' (16 H), 'single' (16 H LS)	Rubber collar on concrete hopper	
Diagnose interface	Spectacle wear plate DURO 22	

See quotation for exact serial delivery scope.  
Comprehensive range of options available on request.